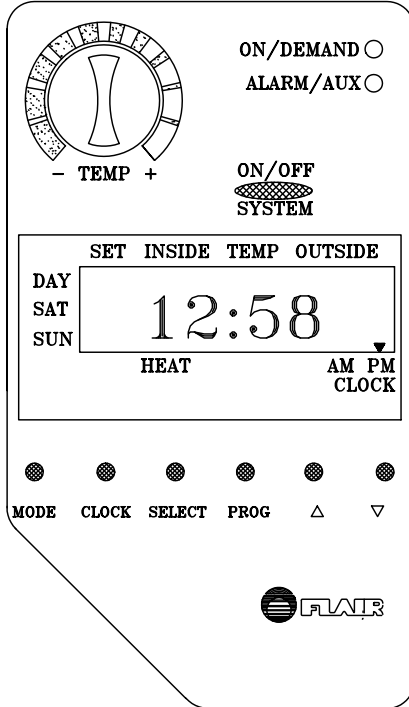


PROGRAMMABLE PROPORTIONAL ELECTRIC HEAT THERMOSTAT *series TP50*

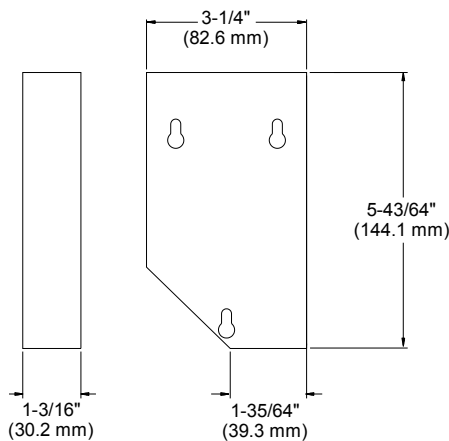
For proportional line voltage control of electric baseboard, element or any type of resistance heater.



BENEFITS & SPECIAL FEATURES

- Proportional output provides fast and accurate temperature control.
- Proportional integral control eliminates overshoot and droop.
- The most economical way to operate resistance heat. Proportional control provides just the energy that is required, significantly reducing demand and consumption.
- 4 daily programs for M-F, Sat. and Sun.
- Digital 12/24 hour real time clock.
- Ten year lithium battery for back up during power outages.
- Easy programming—Easy setting.
- Large, easy to read, LCD display.
- Temperature display—set point, inside and outside air—in F° or C°.
- System status indicators.
- Learned response feature adjusts for changing climate.
- Manual on/off override.
- Temporary override with automatic resumption of program.
- Vacation mode—up to 365 days.
- Electronic program and temperature limiting and and locking.
- Low and high limit temperature alarms can activate a dry contact to switch an external control.
- Models to accomodate 120/208/230/277 vac.
- No sub-base required.
- Attractive modern design.

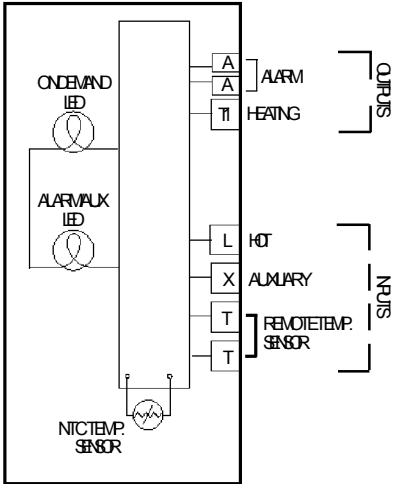
DIMENSIONS



SPECIFICATIONS

Operating Voltage:	120/208/230/277 vac (-15%, +10%, 50-60 Hz)
Temperature Range:	50°F - 90°F (10°C - 32°C)
Temperature Differential:	
Heating:	approximately ±0.8°F (.4°C)
Sensor System:	Negative Temperature Coefficient (NTC)
Standard:	internal
Optional:	remote temperature
Optional:	outside air temperature
Switches:	
Push-button:	MODE/CLOCK/SELECT/PROG/UP/DOWN
Push-button:	SYSTEM: ON/OFF
Rotating:	set TEMPERATURE
Indicator LED's:	ON (Steady Green) / DEMAND (Flashing Green)
	ALARM (Flashing Red) / AUX (Steady Red)
Display:	LCD, 4 character, .5" (1.27 cm) height.
Security:	4 digit user selectable code
Dimensions:	5 ⁴³ / ₆₄ x 3 ¹ / ₄ x 1 ³ / ₁₆ Inches (144.1 x 82.6 x 30.2 mm)

MODEL NUMBERS AND DESCRIPTIONS FOR VARIOUS APPLICATIONS



Model Number: TP501040; 120 vac

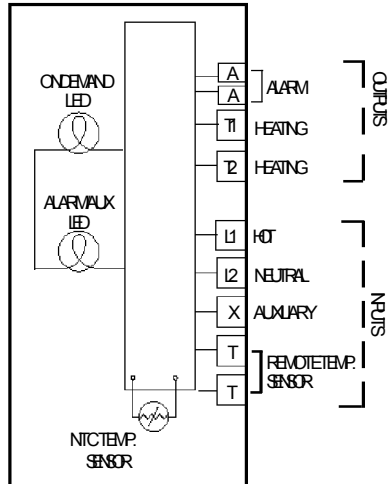
Description: Electric heat SPST

Switching Current at rated voltage:

120 vac: minimum 22 Amps

Alarm: minimum 1 Amp

Weight: .4 lbs. (880 g)



Model Number: TP501050; 208 vac
TP501070; 230 vac
TP501090; 277 vac

Description: Electric heat DPST

Switching Current at rated voltage:

208-277 vac: minimum 19 Amps

Alarm: minimum 1 Amp

Weight: .4 lbs. (880 g)

ACCESSORIES

Remote Temperature Sensor TX101001

Outside Air Temperature Sensor TX101021

Backplates may be used to cover large holes in walls or mount to utility boxes:

horizontal TX201001

vertical TX202001

square TX203001

Transformers:

40 VA TR140100

20 VA TR120100

Relay Transformers:

20 VA (2) SPST 120 VAC relay TR440200

20 VA (1) SPST 120 VAC relay TR440300

APPLICATIONS

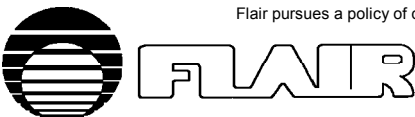
- Zone heating.
- Residential (Single or multi-family, Apartments, Co-ops, Condominiums).
- Commercial (Stores, Restaurants, Offices).
- Industrial
- Institutional (Hospitals, Hotels, Motels).

REFERENCES

For More Information On:	See:
Remote model	TQ50 data sheet
Wiring, jumper, potentiometer settings and applications	Instruction sheet
Other thermostats	This section
Wiring Panels	Control Panels section
Warranty & pricing	Pricing & terms section



Flair pursues a policy of constant improvement. For this reason, all specifications are subject to change without notice.



FLAIR INTERNATIONAL CORPORATION

600 Old Willets Path • Hauppauge, New York 11788 • Tel: (516) 234-3600 • Fax: (516) 234-3610

TP50P2